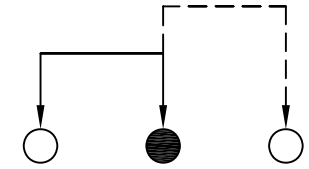
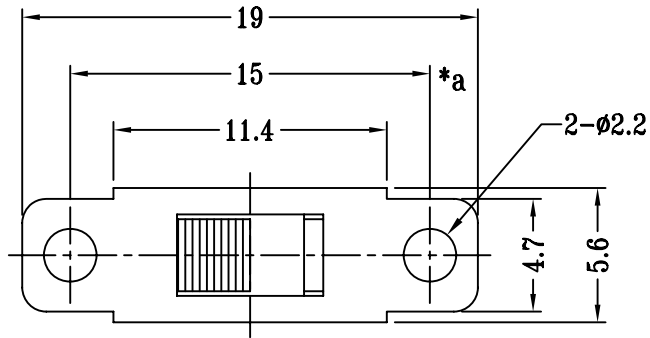
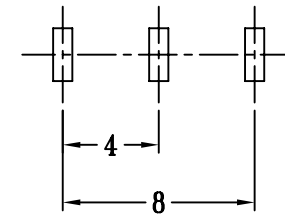
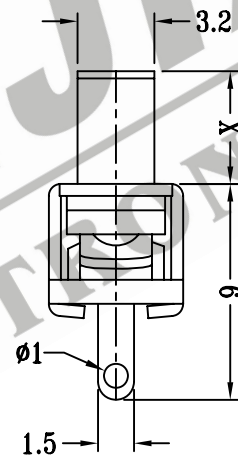
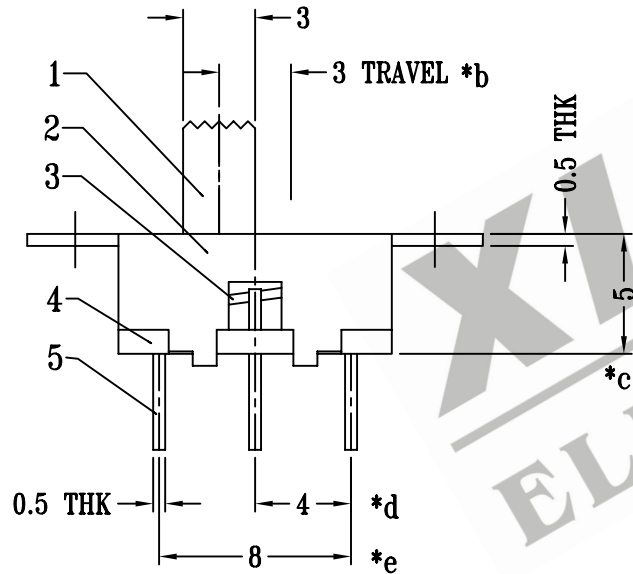


CAD FILE:



SCHEMATIC (NON-SHORTING)



P.C.B LAYOUT

注:带"*"表示关键尺寸(6个)

				TOLERANCE UNLESS SPECIFIED		SHENZHEN XIEJIA ELECTRONICS CO.,LTD.				
				WITHIN: 1.5±0.1mm		ISSUE	DATE	DESCRIPTIONS OF REVISION		APPD.
				OVER: 1.5±0.2mm						
8						TITLE : VERTICAL SLIDE SWITCH		UNIT : mm	DRWG NO.: XJ-DR-SS12F72-00	
7	STEEL BALL	STEEL	1	NATURAL	MODEL: SS-12F72		SCALE: 3:1	DWN.	ZHOUYU	2005-8-26
6	SPRING	STEEL WIRE	1	NATURAL	ALL MATERIALS MUST BE COMPLIANT TO ROHS			CHK'D	FANGYING	2005-8-26
5	CONTACT CLIP	BRASS STRIP	1	Ag PLATED				APPD.	KANGXINAN	2005-8-26
4	TERMINAL	BRASS STRIP	3	Ag PLATED OVER Ni PLATED						
3	BASE	PHENOLIC RESIN	1	NATURAL						
2	FRAME	STEEL STRIP	1	BLACK						
1	KNOB	POM	1	BLACK						
NO.	PARTS	MATERIALS	Q'TY	FINISH						